

SPARE PARTS BOOK

GTM1350 DELUXE





GTM1350

REMARKS ON THIS SPARE PARTS CATALOGUE

- * This spare part catalogue contains all spare parts for the GTM1350 deluxe.
- * The figures in the drawing are the index numbers of the spare parts.
- * When order spare parts, please clarify the part number.
- * The spare parts may sometimes be changed without notice so attention should be paid to it.



GTM
PROFESSIONAL®

WEBSHOP DEALERS OV

CONTACTEREN

Bezoekadres

De Wild BV
Spectrum 38
4706 NM Roosendaal
Nederland

Post adres

De Wild BV
Postbus 1195
4700 BD Roosendaal
Nederland

Telefoon

+31 (0)165 532992

E-mail

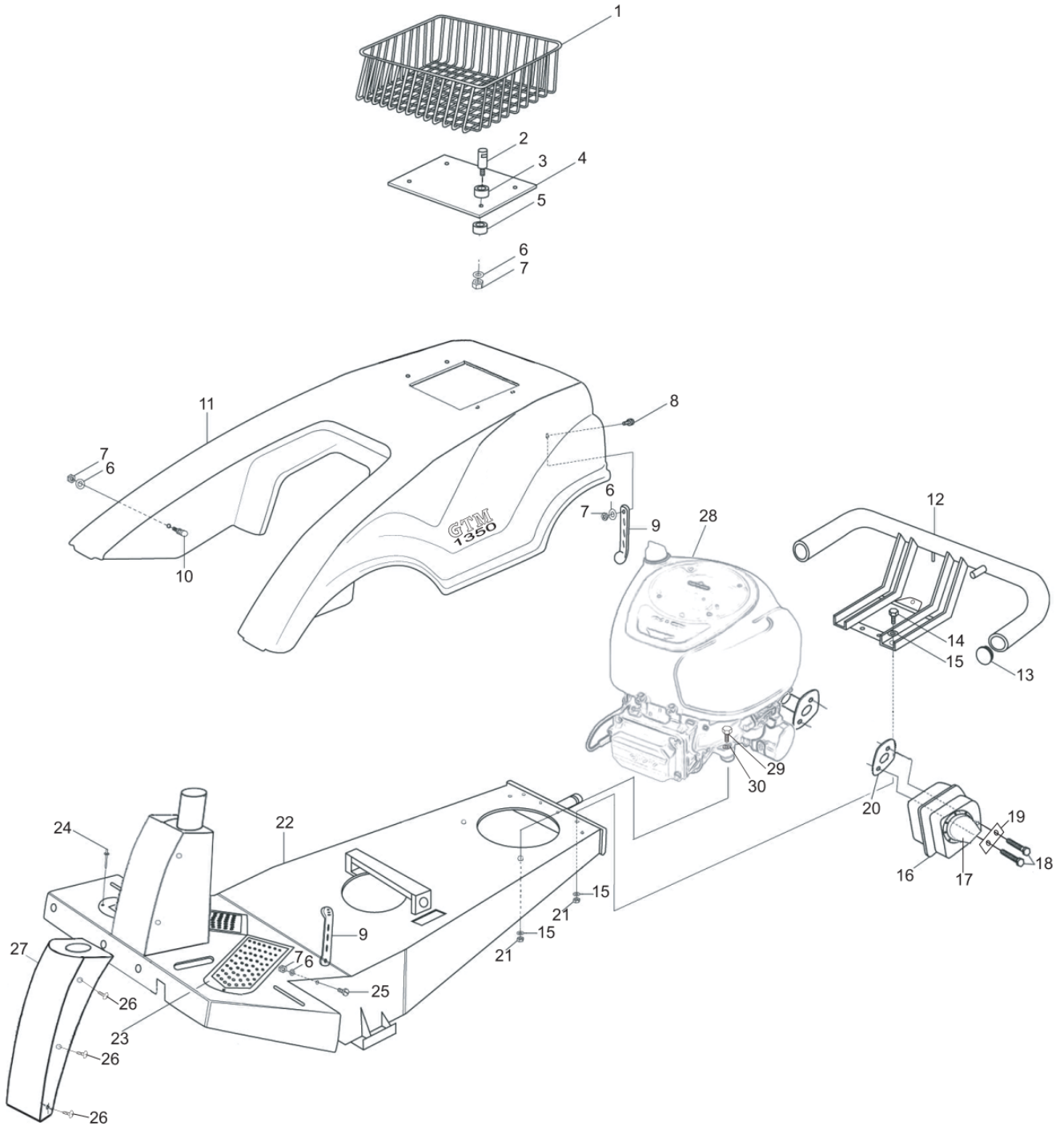
Bestellingen: sales@gtmprofessional.com
Technische en overige vragen: support@gtmprofessional.com

FA. E. GIELEN & ZN.

Wolfhagen 3
6365 BM SCHINNEN
(Limburg)
0464431995

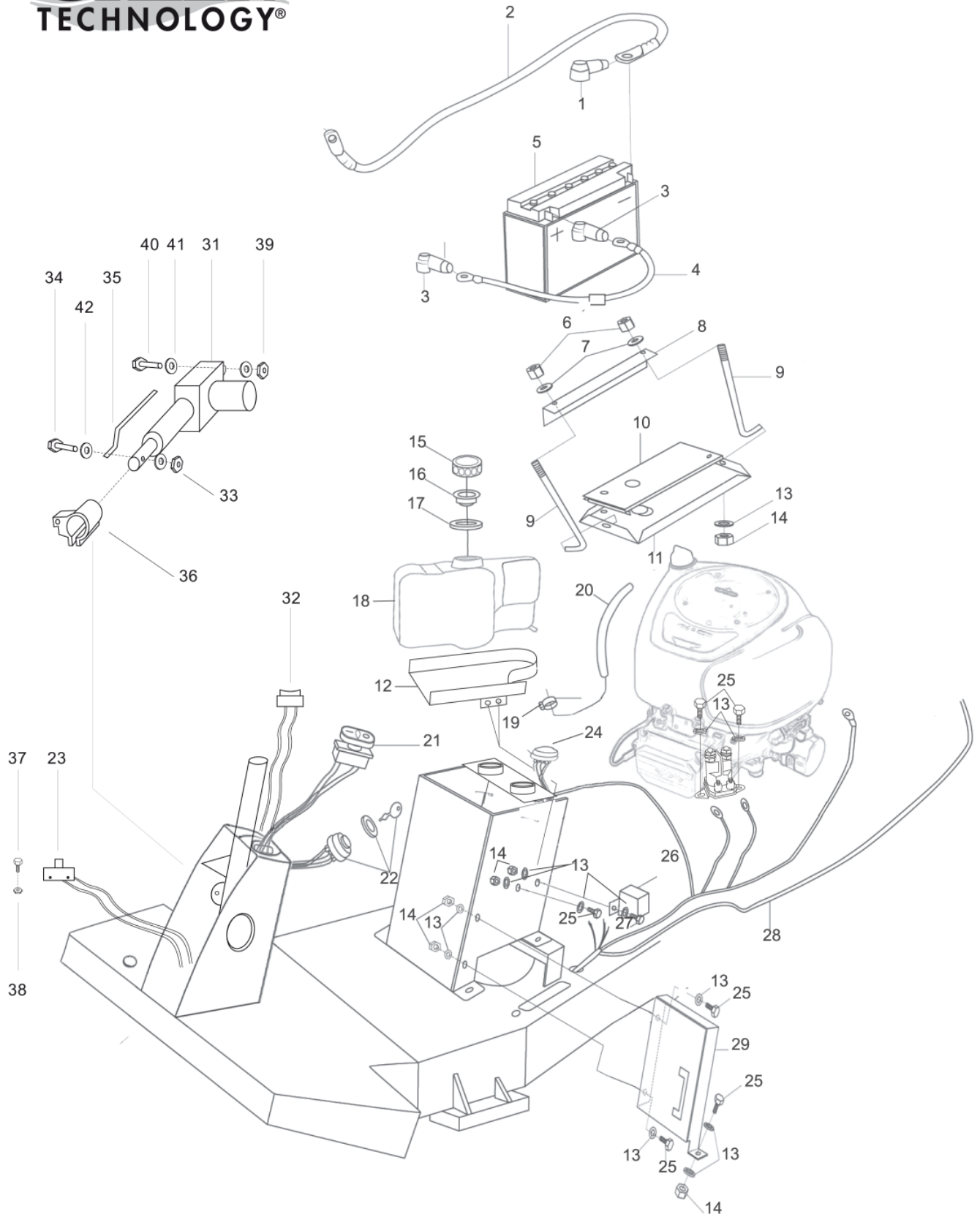
info@gielen.nu

CHASSIS GUARD, COVERS, ENGINE AND EXHAUST



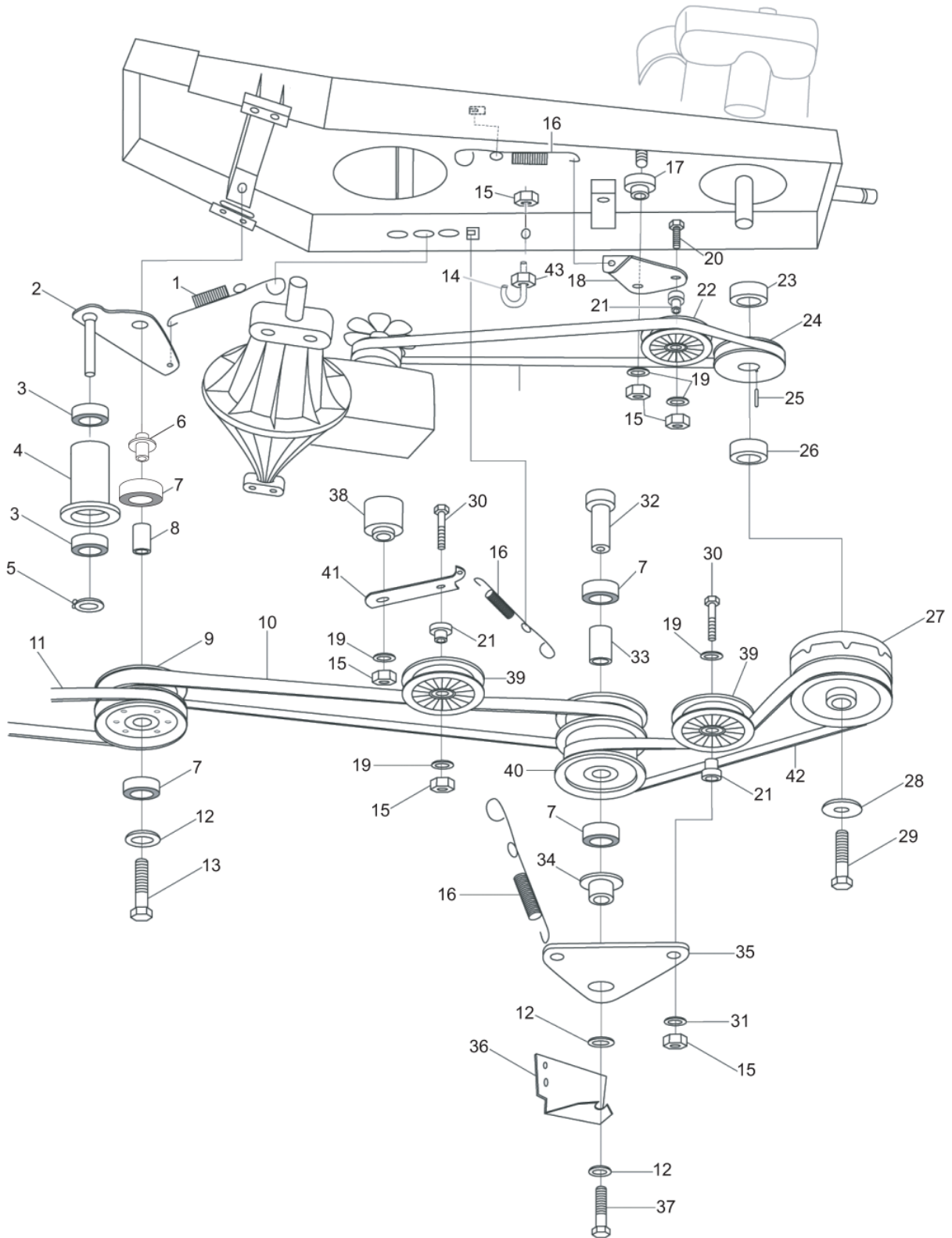
DRAWING NR.	PART NR.	DESCRIPTION	QUANT.
A1	L013-0002-0001	tool basket	1
A2	L008-0002-0002	pillar	4
A3	L009-0002-0001	spacer (slotted)	4
A4	L037-0001-0002	plate	1
A5	L009-0002-0005	spacer	4
A6	L003-1726-0053	washer 5,3	9
A7	L004-1492-0005	nut M5	9
A8	L001-0073-0516	bolt M5x16	1
A9	L007-0001-0002	rubber toggle fastener	3
A10	L008-0001-0001	spigot	2
A11	L014-0002-0036	cover	1
A12	L017-0001-0002	bumper	1
A13	L015-0014-0001	end plug	2
A14	L001-1103-0820	bolt M8x20	2
A15	L003-1702-0084	washer 8,4	12
A16	L018-0001-0006	muffler	1
A17	L018-0005-0001	deflector	1
A18	L001-0001-0008	special bolt	2
A19	L037-0002-0002	safety plate	1
A20	L018-0002-0001	gasket exhaust	1
A21	L004-1492-0008	nut M8	6
A22	L017-0002-0010	chassis 1350 DL	1
A23	L014-0003-0001	floor mat	2
A24	L011-0022-0412	pop nail	4
A25	L001-0084-0520	bolt M5x20	2
A26	L002-7981-4810	special screw	1
A27	L014-0007-0008	plastic red cover 1350 DL	1
A28	L016-0001-0012	engine B&S 13 hp	1
A29	L001-1101-0835	bolt M8x35	4
A30	L003-1702-0084	washer 8,4	4

ELECTRICAL COMPONENTS AND ASSOCIATED PARTS



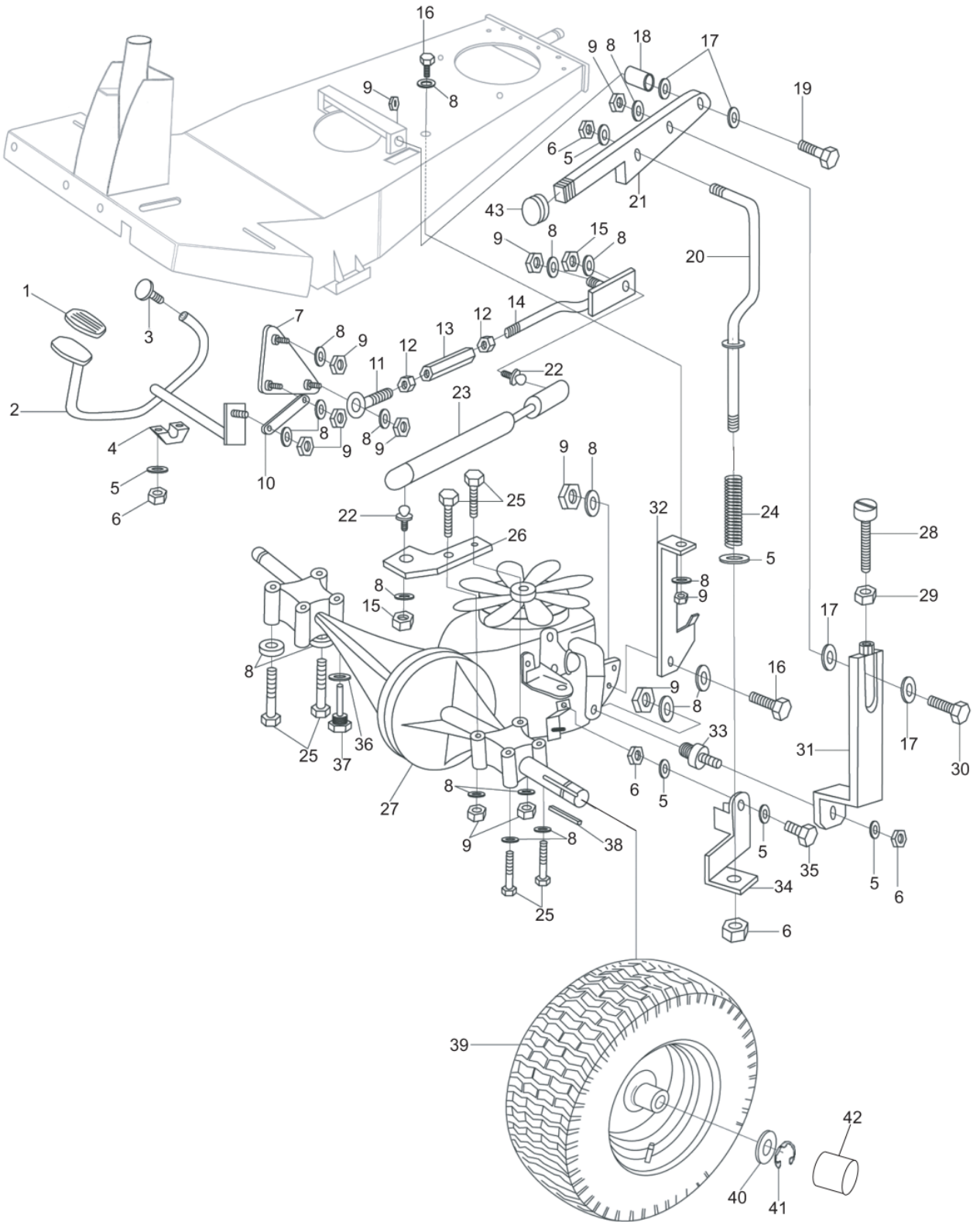
DRAWING NR.	PART NR.	DESCRIPTION	QUANT.
B1	L015-0005-0002	guard cap black	1
B2	L019-0002-0004	battery cable (-)	1
B3	L015-0005-0001	guard cap red	2
B4	L019-0002-0003	battery cable (+)	2
B5	L019-0001-0001	battery	1
B6	L004-1492-0005	nut M5	2
B7	L003-1726-0053	washer 5,3	2
B8	L008-0015-0009	support battery	1
B9	L030-0001-0004	rod	2
B10	L007-0005-0001	battery pad	1
B11	L021-0001-0004	battery shelf	1
B12	L008-0015-0015	tank support	1
B13	L003-1702-0064	washer 6,4	18
B14	L004-1492-0006	nut M6	9
B15	L015-0017-0001	tank cap	1
B16	L015-0017-0002	breather tank	1
B17	L007-0008-0001	gasket tank	1
B18	L016-0008-0001	tank	1
B19	L015-0006-0003	tube tie	1
B20	L007-0009-0002	fuel tube	1
B21	L019-0011-0010	blade switch complete	1
B22	L019-0006-0001	starting switch	1
B23	L019-0011-0013	safety switch mowingdeck complete	1
B24	L019-0003-0002	switch set seat	1
B25	L001-1103-0614	bolt M6x14	8
B26	L019-0012-0002	relay	1
B27	L001-1103-0620	bolt M6x20	1
B28	L019-0005-0008	cable harness	1
B29	L017-0004-0007	panel	1
B30	L019-0007-0001	start relay	1
B31	L019-0017-0001	actuator	1
B32	L019-0011-0011	lift switch	1
B33	L004-1492-0008	nut M8	1
B34	L001-1101-0860	bolt M8x60	1
B35	L030-0009-0018	control rod	1
B36	L021-0005-0002	switch holder	1
B37	L001-1131-0425	bolt M4x25	2
B38	L004-1492-0004	nut M4	2
B39	L004-1411-0012	nut M12	1
B40	L001-1101-1245	bolt M12x45	1
B41	L003-1702-0012	washer M12	2
B42	L003-1702-0008	washer M8	2

BELT DRIVE AND PULLEYS ASSEMBLY



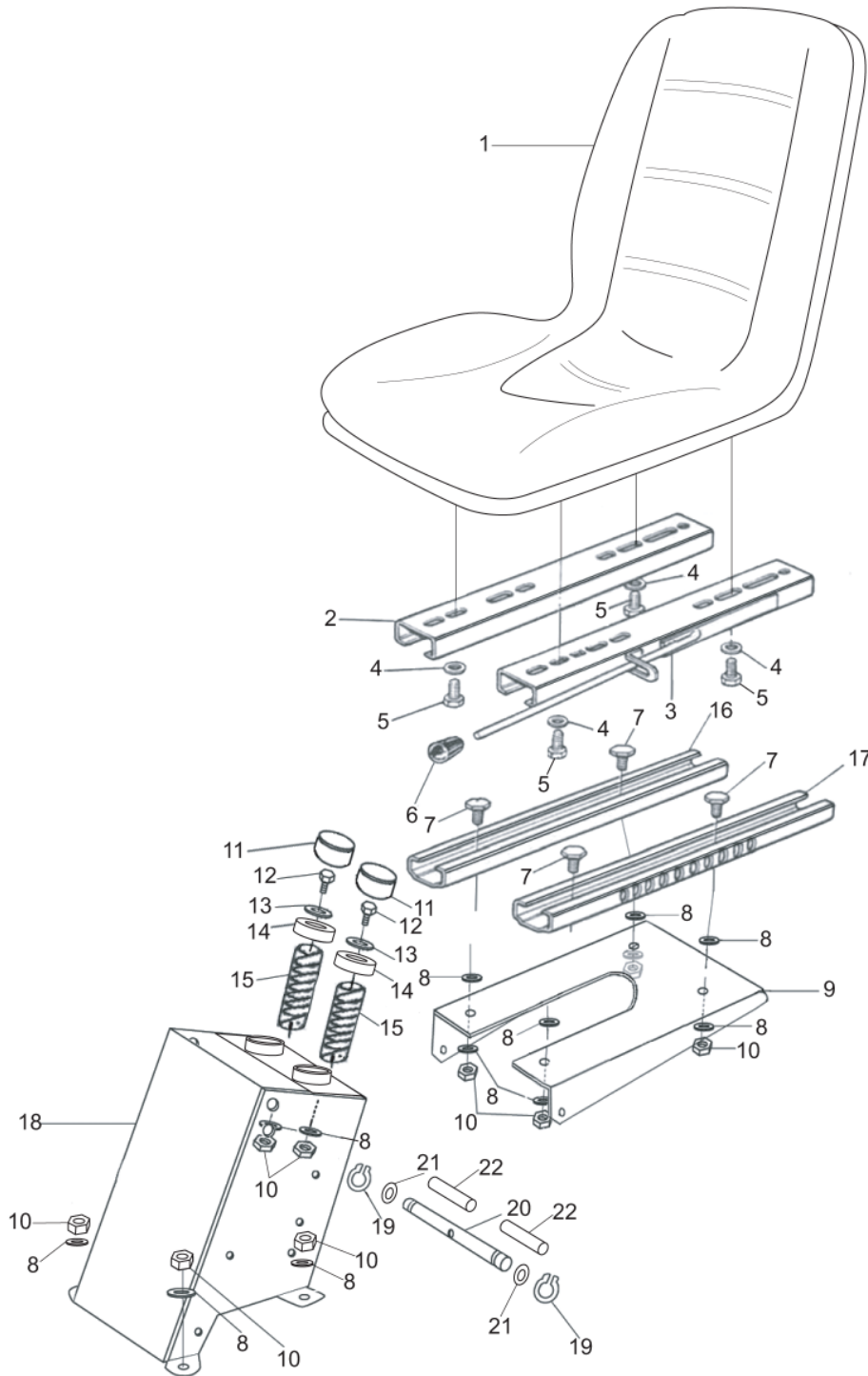
DRAWING NR.	PART NR.	DESCRIPTION	QUANT.
C1	L023-0001-0018	spring	1
C2	L025-0000-0017	tensioner	1
C3	L035-0000-0005	bearing	2
C4	L027-0002-0016	tension pulley	1
C5	L006-2930-0012	circlip 12	1
C6	L026-0001-0009	counter shaft	1
C7	L035-0000-0003	bearing	4
C8	L009-0001-0017	spacer	1
C9	L027-0001-0001	double pulley	1
C10	L024-0001-0014	V-belt A42	2
C11	L024-0001-0032	V-belt A61	1
C12	L003-1702-0105	washer 10,5	1
C13	L001-1101-1060	bolt M10x60	1
C14	L008-0019-0004	hook	1
C15	L004-1492-0008	nut M8	8
C16	L023-0001-0017	spring	3
C17	L009-0001-0022	spacer	1
C18	L025-0000-0009	tensioner	1
C19	L003-1727-0009	washer 9	5
C20	L001-0001-0011	bolt M8x40	1
C21	L009-0001-0006	spacer	3
C22	L027-0002-0002	tension pulley	1
C23	L009-0001-0009	spacer	1
C24	L027-0001-0007	belt pulley	1
C25	L029-0000-0003	key	1
C26	L009-0001-0008	spacer	1
C27	L016-0006-0001	electric clutch	1
C28	L003-1727-0011	washer 11	1
C29	L001-0931-0004	bolt 7/16"x2 1/2"	1
C30	L001-1101-0840	bolt M8x40	2
C31	L003-1702-0084	washer 8,4	1
C32	L026-0001-0011	counter shaft	1
C33	L009-0001-0026	spacer	1
C34	L009-0001-0024	spacer	1
C35	L025-0000-0013	tension bracket	1
C36	L008-0014-0008	brace	1
C37	L001-1101-1012	bolt M10x120	1
C38	L009-0001-0023	spacer	2
C39	L027-0002-0001	tension pulley	2
C40	L027-0001-0009	double pulley	1
C41	L025-0000-0010	tensioner arm	1
C42	L024-0001-0021	V-belt B32	1
C43	L004-1403-0008	nut M8	1

GEARBOX, GEARBOX BRAKE AND DRIVE TO FRONT AXLE



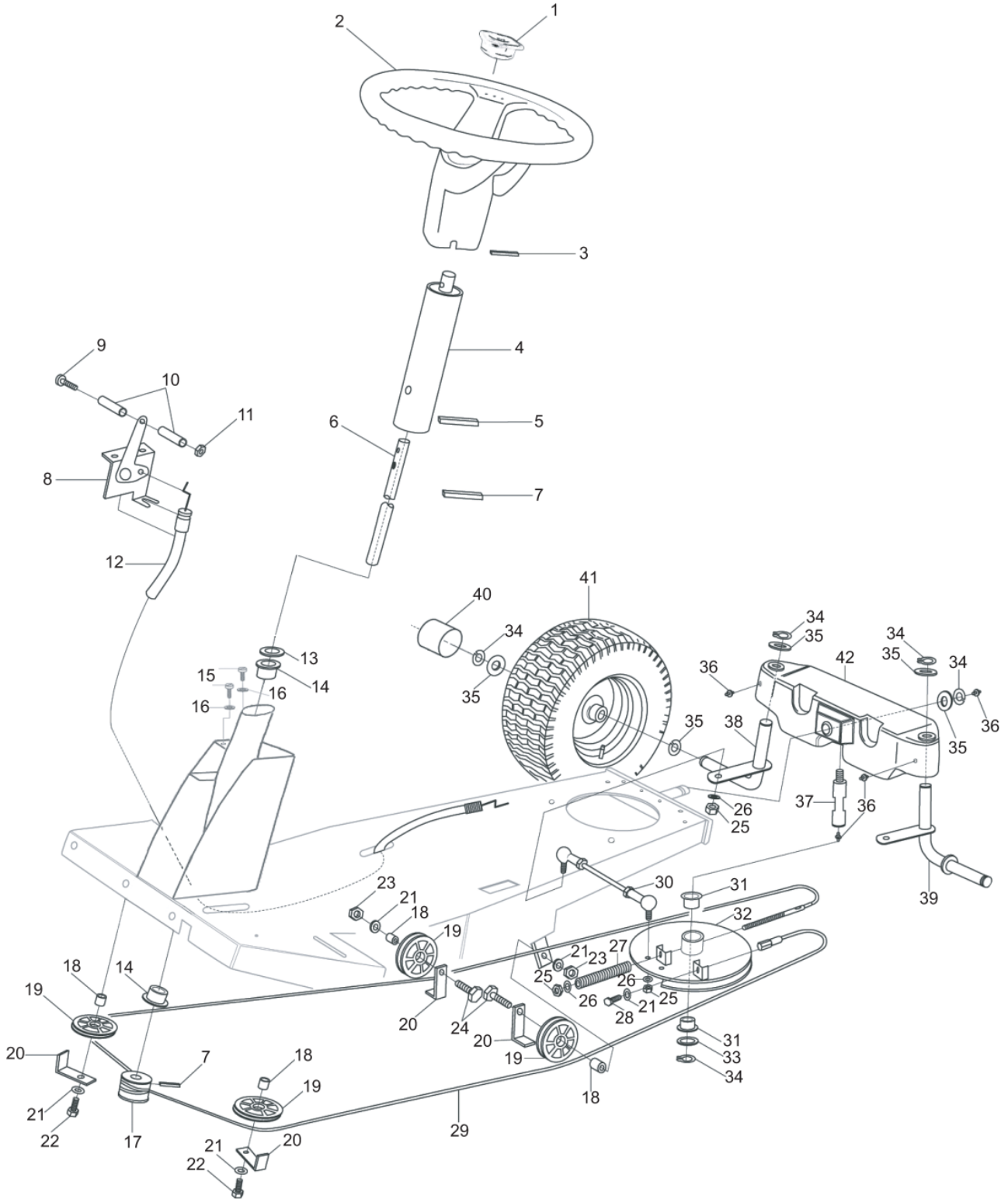
DRAWING NR.	PART NR.	DESCRIPTION	QUANT.
D1	L007-0003-0001	pedal rubber	1
D2	L022-0005-0001	forward pedal	1
D3	L022-0005-0002	backward pedal	1
D4	L015-0001-0003	bearer pedal	2
D5	L003-1702-0064	washer 6,4	8
D6	L004-1492-0006	nut M6	6
D7	L034-0002-0008	control lever	1
D8	L003-1702-0084	washer 8,4	16
D9	L004-1492-0008	nut M8	9
D10	L030-0009-0010	control rod	1
D11	L008-0253-0840	bolt M8x40 BN253	1
D12	L004-1403-0008	nut M8	2
D13	L004-0001-0001	adjusting nut	1
D14	L030-0009-0011	control rod	1
D15	L004-0934-0001	nut X5/16" UNC	2
D16	L001-1103-0820	bolt M8x20	2
D17	L003-0005-0009	rubber washer 9	4
D18	L009-0001-0039	spacer	1
D19	L001-1101-0860	bolt M8x60	1
D20	L030-0009-0012	control rod	1
D21	L008-0006-0003	handle	1
D22	L016-0010-0002	stud	2
D23	L016-0010-0001	damper	1
D24	L023-0001-0009	spring	1
D25	L001-1101-0865	bolt M8x65	6
D26	L008-0014-0012	brace	1
D27	L016-0002-0004	hydrogearbox	1
D28	L001-1103-0630	bolt M6x30	1
D29	L004-1401-0006	nut M6	1
D30	L001-1103-0825	bolt M8x25	1
D31	L034-0002-0010	control lever	1
D32	L008-0014-0009	brace	1
D33	L032-0001-0007	shaft	1
D34	L034-0002-0011	control lever	1
D35	L001-1103-0614	bolt M6x14	1
D36	L003-1740-0102	washer 10,2	1
D37	L028-0000-0006	belt safety	1
D38	L029-0000-0005	key	2
D39	L039-0000-0005	wheel	2
D40	L003-1702-0019	washer 19	2
D41	L006-2929-0015	circlip 15	2
D42	L015-0019-0001	cap	2
D43	L015-0003-0002	ballgrip	1

SEAT AND SEAT ADJUSTMENT ASSEMBLY



DRAWING NR.	PART NR.	DESCRIPTION	QUANT.
E1	L040-0001-0008	seat	1
E2	L040-0002-0004	slide right top	1
E3	L040-0002-0003	slide left top	1
E4	L003-1745-0084	washer 8,4	4
E5	L001-1103-0816	bolt M8x16	4
E6	L015-0002-0002	knob	1
E7	L001-1103-0820	bolt M8x20	4
E8	L003-1702-0084	washer 8,4	12
E9	L038-0001-0006	seat adjustment	1
E10	L004-1492-0008	nut M8	10
E11	L015-0019-0001	cap	2
E12	L001-1103-0830	bolt M8x30	2
E13	L003-1726-0084	washer 8,4	2
E14	L010-0005-0002	rubber bush	2
E15	L023-0001-0021	spring	2
E8-10-11-12-13-14-15	L046-0011-0001	spring seat complete	2
E16	L040-0003-0004	slide left below	1
E17	L040-0003-0003	slide right below	1
E18	L020-0004-0005	seat bracket	1
E19	L006-2930-0010	circlip	2
E20	L032-0001-0010	shaft	1
E21	L003-1726-0010	washer 10	2
E22	L007-0002-0002	rubber hose	2

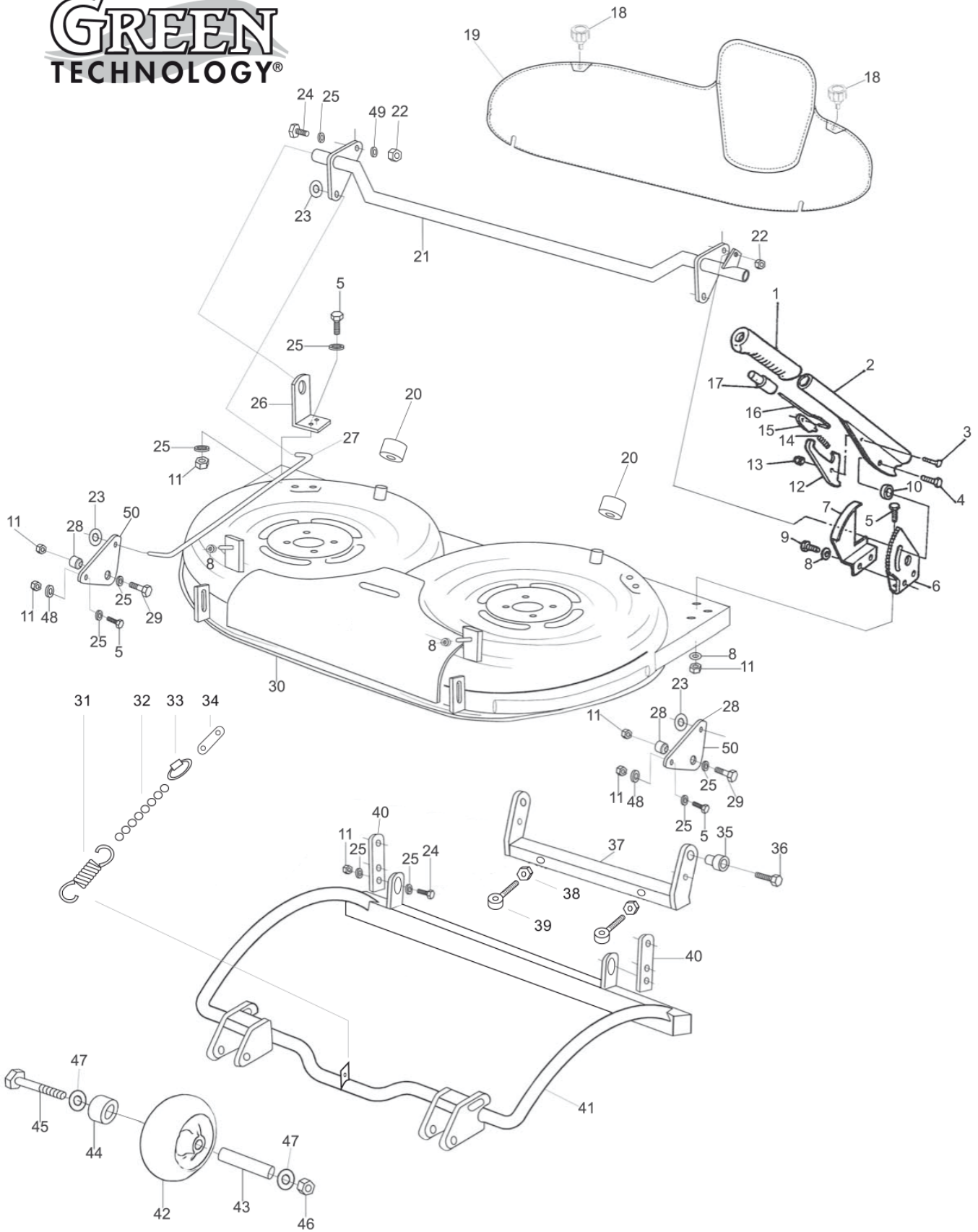
STEERING AND REAR AXLE



DRAWING NR.	PART NR.	DESCRIPTION	QUANT.
F1	L042-0002-0006	steering wheel cover	1
F2	L042-0003-0005	steering wheel	1
F3	L011-2156-0626	locating pin 6x26	1
F4	L042-0004-0004	steering column	1
F5	L011-2156-0645	roll pin 6x45	1
F6	L032-0004-0003	steering column shaft	1
F7	L011-2156-0636	locating pin 6x36	2
F8	L008-0005-0003	choke control	1
F9	L001-1131-0316	bolt M3x16	1
F10	L015-0004-0001	handle	2
F11	L004-1401-0003	nut M3	1
F12	L041-0001-0006	choke cable	1
F13	L003-0003-0008	thrust washer 0,8 mm	1
F14	L010-0002-0002	bush	2
F15	L001-1103-0004	bolt	1
F16	L003-1702-0004	washer	1
F17	L042-0001-0001	steering pulley	1
F18	L010-0001-0003	bush	4
F19	L015-0009-0001	cable idler wheel	4
F20	L020-0005-0002	idler wheel bracket	4
F21	L003-1702-0105	washer 10,5	4
F22	L001-1101-1030	bolt M10x30	2
F23	L004-1492-0010	nut M10	2
F24	L001-1101-1035	bolt M10x35	2
F25	L004-1492-0008	nut M8	5
F26	L003-1702-0084	washer 8,4	6
F27	L023-0001-0008	spring	1
F28	L001-1103-0816	bolt M8x16	1
F29	L041-0002-0001	steering cable	1
F30	L030-0007-0001	tie rod	2
F31	L010-0002-0003	bush	2
F32	L042-0001-0002	steering pulley	1
F33	L003-0000-0015	washer 1,5	1
F34	L006-2930-0020	circlip 20	5
F35	L003-0000-0020	washer 20 (or other sizes)	as required
F36	L012-7421-0006	grease nipple KM6	4
F37	L043-0002-0001	axle pin	1
F38	L043-0001-0007	axle right	1
F39	L043-0001-0008	axle left	1
F40	L015-0019-0001	cap	2
F41	L039-0000-0002	wheel	2
F42	L036-0001-0001	rear axle body	1

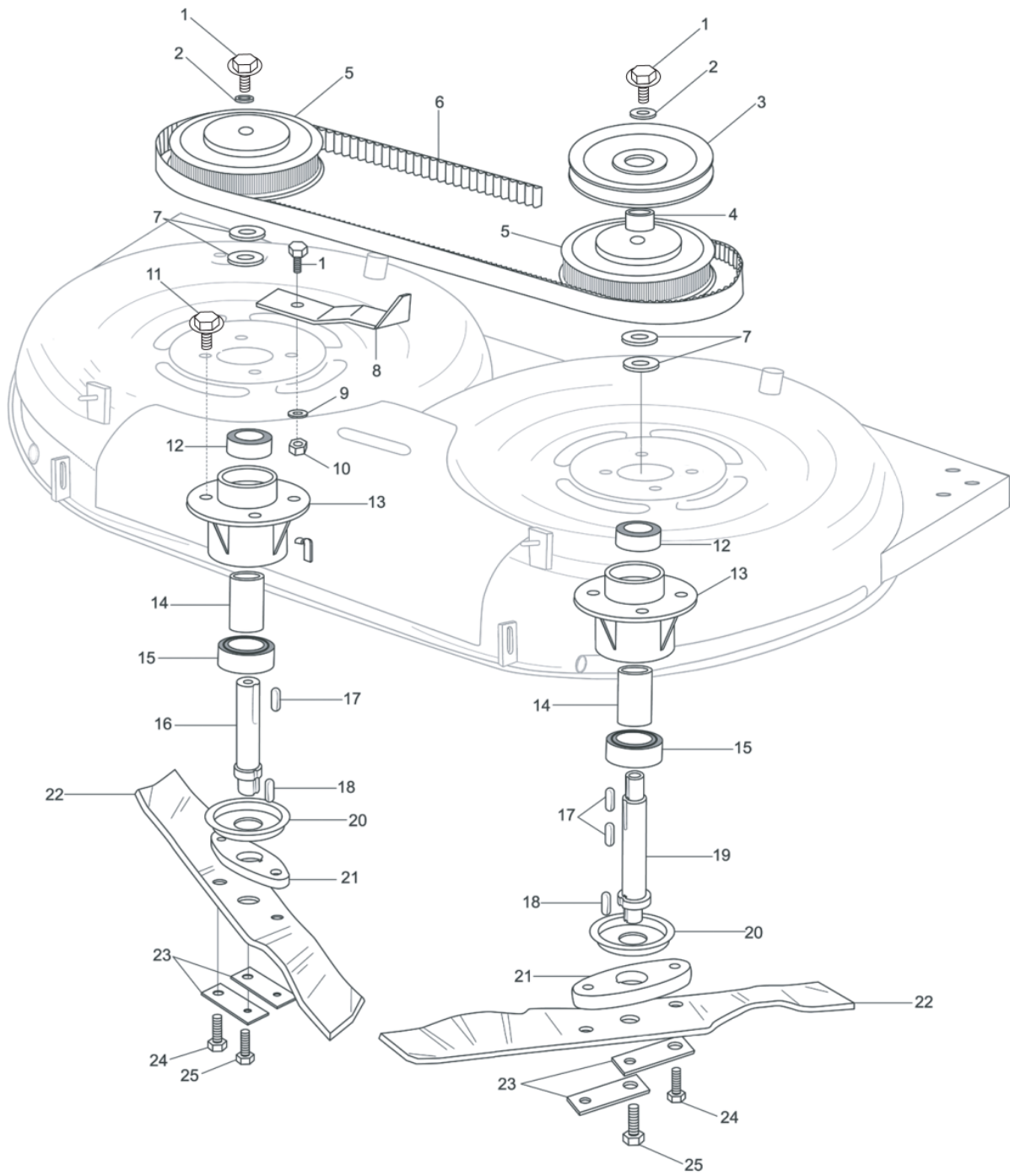
85 CM MOWER DECK AND GUARDS

GREEN
TECHNOLOGY®



DRAWING NR.	PART NR.	DESCRIPTION	QUANT.
I1	L015-0004-0004	handle	1
I2	L034-0006-0001	height adjusting lever	1
I3	L001-1103-0620	bolt M6x20	1
I4	L001-1103-0825	bolt M8x25	1
I5	L001-1103-0820	bolt M8x20	7
I6	L021-0004-0004	height adjustment quadrant	1
I7	L037-0008-0002	height indicator plate	1
I8	L003-1745-0064	washer 6,4	2
I9	L001-1103-0610	bolt M6x10	2
I10	L009-0001-0001	spacer	1
I11	L004-1492-0008	nut M8	18
I12	L008-0006-0002	pawl	1
I13	L004-1492-0006	nut M6	1
I14	L023-0001-0010	spring	1
I15	L008-0007-0003	locking key	1
I16	L030-0009-0005	control rod	1
I17	L015-0010-0001	locking knob	1
I18	L001-0002-0612	bolt special	2
I19	L014-0004-0012	belt cover	1
I20	L010-0005-0001	rubber bush	2
I21	L030-0007-0009	tie rod	1
I22	L004-1492-0008	nut M8	2
I23	L005-0000-0005	push-on-fastener	4
I24	L001-1103-0825	bolt M8x25	6
I25	L003-1702-0084	washer 8,4	30
I26	L020-0001-0015	bracket	1
I27	L008-0013-0008	bar	2
I28	L009-0001-0039	spacer	2
I29	L001-1101-0835	bolt M8x35	2
I30	L017-0005-0014	cutter deck	1
I31	L023-0001-0022	spring	2
I32	L008-0009-0005	chain	2
I33	L008-0019-0005	screw clip	2
I34	L037-0001-0003	coupling	2
I35	L010-0001-0006	bush	2
I36	L001-1101-1030	bolt M10x30	2
I37	L017-0003-0047	frame	1
I38	L004-1403-0016	nut M16	2
I39	L020-0007-0004	eye bolt M16 X100	4
I40	L037-0007-0003	pivot plate	2
I41	L017-0003-0046	frame	1
I42	L015-0013-0002	casing wheel	2
I43	L032-0001-0011	shaft	2
I44	L009-0002-0007	spacer	2
I45	L001-1101-1210	bolt M12x100	2
I46	L004-1492-0012	nut M12	2
I47	L003-1702-0120	washer	2
I48	L003-0001-0006	special washer	2
I49	L003-0001-0007	special washer	2
I50	L003-0007-0004	pivot plate	2

MOWER BLADE ASSEMBLY FOR 85 CM MOWER DECK



DRAWING NR.	PART NR.	DESCRIPTION	QUANT.
J1	L001-0073-0820	trust bolt M8x20	2
J2	L003-0001-0005	washer 9	2
J3	L027-0001-0005	belt pulley	1
J4	L009-0001-0027	spacer	1
J5	L027-0003-0002	toothed pulley	2
J6	L024-0002-0001	toothed belt	1
J7	L003-0001-0004	special washer	4
J8	L025-0000-0004	tensioner	1
J9	L003-1702-0084	washer 8,4	1
J10	L004-1492-0008	nut M8	1
J11	L001-0073-0820	trust bolt M8x20	8
J12	L035-0000-0006	bearing	2
J13	L036-0002-0002	bearing housing	2
J14	L009-0001-0020	spacer	2
J15	L035-0000-0007	bearing	2
J16	L032-0002-0007	blade shaft	1
J17	L029-0000-5532	key 5x5x32	3
J18	L029-0000-5514	key 5x5x14	2
J19	L032-0002-0008	blade shaft	1
J20	L013-0003-0002	cover	2
J21	L021-0005-0001	blade holder	2
J22	L033-0000-0001	blade	2
J23	L037-0002-0001	safety plate	4
J24	L001-1103-0825	bolt M8x25	2
J25	L001-0073-1020	bolt M10x20	2

DRAWING NR.	PART NR.	DESCRIPTION	QUANT.
J18	L029-0000-5514	key 5x5x14	2
J17	L029-0000-5532	key 5x5x32	3
B9	L030-0001-0004	rod	2
F30	L030-0007-0001	tie rod	2
I21	L030-0007-0009	tie rod	1
I16	L030-0009-0005	control rod	1
D10	L030-0009-0010	control rod	1
D14	L030-0009-0011	control rod	1
D20	L030-0009-0012	control rod	1
B35	L030-0009-0018	control rod	1
D33	L032-0001-0007	shaft	1
E20	L032-0001-0010	shaft	1
I43	L032-0001-0011	shaft	2
G1	L032-0001-0012	shaft	1
J16	L032-0002-0007	blade shaft	1
J19	L032-0002-0008	blade shaft	1
F6	L032-0004-0003	steering column shaft	1
J22	L033-0000-0001	blade	2
D7	L034-0002-0008	control lever	1
D31	L034-0002-0010	control lever	1
D34	L034-0002-0011	control lever	1
I2	L034-0006-0001	height adjusting lever	1
C7	L035-0000-0003	bearing	4
C3	L035-0000-0005	bearing	2
J12	L035-0000-0006	bearing	2
J15	L035-0000-0007	bearing	2
F42	L036-0001-0001	rear axle body	1
J13	L036-0002-0002	bearing housing	2
A4	L037-0001-0002	plate	1
I34	L037-0001-0003	plate	2
J23	L037-0002-0001	safety plate	4
A19	L037-0002-0002	safety plate	1
I40	L037-0007-0003	pivot plate	2
I7	L037-0008-0002	height indicator plate	1
E9	L038-0001-0006	seat adjustment	1
F41	L039-0000-0007	wheel	2
D39	L039-0000-0006	wheel	2
E1	L040-0001-0008	seat	1
E3	L040-0002-0003	slide left top	1
E2	L040-0002-0004	slide right top	1
E17	L040-0003-0003	slide right below	1
E16	L040-0003-0004	slide left below	1
F12	L041-0001-0006	choke cable	1
F29	L041-0002-0001	steering cable	1
F17	L042-0001-0001	steering pulley	1
F32	L042-0001-0002	steering pulley	1
F1	L042-0002-0006	steering wheel cover	1
F2	L042-0003-0005	steering wheel	1
F4	L042-0004-0004	steering column	1
F38	L043-0001-0007	axle right	1
F39	L043-0001-0008	axle left	1
F37	L043-0002-0001	axle pin	1
G	L046-0002-0004	liftsystem deck complete	1
E12-13-14-15	L046-0011-0001	spring seat complete	2